

DESCRIPTION

The Vaportite LED Series is an energy efficient industrial Vaportite fixture that features rugged and durable construction. The Vaportite LED incorporates a full metal fixture liner inside a reinforced fiberglass housing with a high impact diffuser. This Vaportite series is suitable for interior and exterior applications and can be surface or chain mounted.

The Vaportite LED Series has been designed for maximum operation in commercial institutional and industrial environments and can operate in a wide range of temperatures (-20°C to 35°C) and is ideal for cold storage environments.

SPECIFICATION FEATURES

Construction

Fiberglass housing is reinforced polyester and self-extinguishing (ASTM-D635-74) plastic of a permanent pearl gray color. A watertite hub for 1/2" conduit entry is provided at each end of housing (standard) for continuous feed. Polyurethane gasketing is formed in the housing providing a continuous seamless seal for the diffuser. Four sturdy cam latches clamp diffuser tightly for a positive seal between housing, gasketing and diffuser. Electrical components and fixtures are UL/ cUL listed for Wet Locations.

Electrical

Long-Life LED system coupled with electrical driver to deliver optimal performance. LED's available in 3500 or 4000k with a CRI ≥ 85. Projected life is 60,000 hours at 91% lumen output. Electronic drivers are available for 120-277V applications. A 0-10V dimming control is available (standard).

Lens

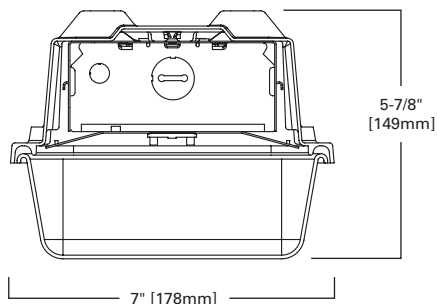
DR=Internal Prismatic Lens/15% DR High Impact Additive.
DR100=Internal Prismatic Lens/100% DR High Impact Additive.

Warranty

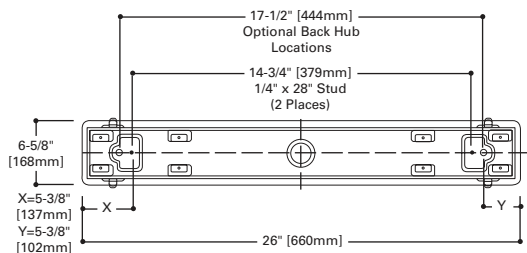
Vaportite LED features a five year limited warranty.

Compliance

UL/cUL listed for Wet location. RoHS compliant, and LED modules comply with IESNA LM-79 and LM-80 standards. DesignLights Consortium™ Qualified and classified for DLC Standard, refer to www.designlights.org for details.



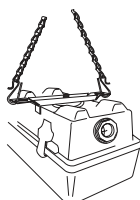
MOUNTING DATA



INSTALLATION DATA



MOUNTING BRACKETS
Furnished
Two per 2' and 4' Unit
Four per 8' Unit



OPTIONAL CHAN HANGING SET
(VT2-CHAIN/SET-U)
Includes 6 ft. of chain, 4 large S-Hooks and 4 small S-Hooks
Order One (1) Kit for each 2' or 4' Fixture



VAPORTITE LED

2' INDUSTRIAL LED LAMP

Vaportite Industrial Refrigerated Case



ENERGY DATA

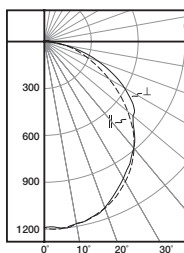
Input Watts:
2VT2-LD4-2 (2,000 lumens)=21W
2VT2-LD4-3 (3,000 lumens)=28.4W

LINEAR DISCONNECT

Safe and convenient means of disconnecting power



PHOTOMETRICS



2VT2-LD4-3-DR-UNV-L840-CD1-WL-U
 Electronic Driver
 Linear LED 4000K
 Spacing criterion:
 (II) 1.29 x mounting height, (⊥) 1.26 x mounting height
 Lumens: 3616
 Input Watts: 27.7W
 Efficacy: 130.5 lm/W
 Test Report:
 2VT2-LD4-3-DR-UNV-L840-CD1-WL-U.IES

Candlepower

Angle	Along II	45°	Across ⊥
0	1190	1190	1190
5	1204	1203	1198
10	1184	1194	1183
15	1168	1167	1164
20	1137	1133	1133
25	1094	1090	1072
30	1037	1018	1013
35	974	946	956
40	895	863	892
45	806	793	816
50	700	723	742
55	592	634	694
60	482	555	597
65	381	479	485
70	292	375	373
75	215	258	261
80	142	157	152
85	68	76	65
90	22	36	34

Coefficients of Utilization

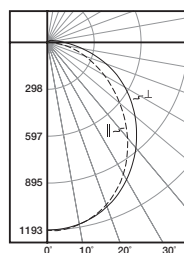
rc rw RCR	Effective floor cavity reflectance 20%																	
	80%			70%			50%			30%			10%			0%		
	70	50	30	70	50	30	70	50	30	70	50	30	70	50	30	0		
0	118	118	118	115	115	115	110	110	110	105	105	105	100	100	100	98		
1	108	103	98	94	105	100	96	93	96	92	89	91	89	86	87	85	83	81
2	98	89	82	76	95	87	81	75	83	78	73	80	75	71	76	73	69	67
3	89	78	70	63	86	77	69	63	73	67	61	70	64	60	67	63	58	56
4	81	69	60	53	79	68	59	53	65	58	52	62	56	51	60	54	50	48
5	75	62	53	46	73	61	52	46	58	51	45	56	49	44	54	48	43	41
6	69	56	47	40	67	54	46	40	52	45	39	51	44	39	49	43	38	36
7	64	50	41	35	62	49	41	35	48	40	35	46	39	34	44	38	34	32
8	60	46	37	31	58	45	37	31	44	36	31	42	35	31	41	35	30	28
9	56	42	34	28	54	41	34	28	40	33	28	39	32	28	38	32	27	25
10	52	39	31	26	51	38	31	25	37	30	25	36	30	25	35	29	25	23

Zonal Lumen Summary

Zone	Lumens	% Fixture
0-30	943	26.1
0-40	1541	42.6
0-60	2728	75.4
0-90	3533	97.7
0-180	3616	100.0

Luminaire Data

Angle in Deg	Average 0-Deg cd/sm	Average 45-Deg cd/sm	Average 90-Deg cd/sm
45	12268	9764	9317
55	11108	8900	8827
65	9701	8107	7209
75	8942	5708	4839
85	8349	2534	1656



2VT2-LD4-3-FR50-UNV-L840-CD1-WL-U
 Electronic Driver
 Linear LED 4000K
 Spacing criterion:
 (II) 1.21 x mounting height, (⊥) 1.25 x mounting height
 Lumens: 3550
 Input Watts: 27.7W
 Efficacy: 128.1 lm/W
 Test Report:
 2VT2-LD4-3-FR50-UNV-L840-CD1-WL-U.IES

Candlepower

Angle	Along II	45°	Across ⊥
0	1192	1192	1192
5	1194	1181	1187
10	1174	1165	1172
15	1142	1136	1146
20	1097	1098	1110
25	1036	1048	1064
30	966	986	1007
35	883	917	944
40	794	840	876
45	698	759	802
50	599	676	728
55	506	593	650
60	419	510	569
65	333	428	487
70	256	347	397
75	184	270	307
80	116	199	225
85	60	139	157
90	18	93	108

Coefficients of Utilization

rc rw RCR	Effective floor cavity reflectance 20%																	
	80%			70%			50%			30%			10%			0%		
	70	50	30	70	50	30	70	50	30	70	50	30	70	50	30	0		
0	118	118	118	115	115	115	110	109	109	109	104	104	104	99	99	99	97	
1	107	102	97	93	104	99	95	91	94	91	88	90	87	84	86	83	81	79
2	97	88	81	75	94	86	80	74	82	77	72	78	74	70	75	71	68	65
3	88	77	69	62	86	76	68	62	72	65	60	69	63	59	66	61	57	55
4	81	69	60	53	78	67	59	52	64	57	51	61	55	50	59	53	49	47
5	74	61	52	45	72	60	51	45	57	50	44	55	48	43	53	47	43	40
6	69	55	46	40	67	54	45	39	52	44	39	50	43	38	48	42	37	35
7	64	50	41	35	62	49	41	35	47	40	34	45	39	34	44	38	33	31
8	59	46	37	31	58	45	37	31	43	36	31	42	35	30	40	34	30	28
9	55	42	34	28	54	41	33	28	40	33	28	38	32	27	37	31	27	25
10	52	39	31	25	50	38	30	25	37	30	25	36	29	25	35	29	24	23

Zonal Lumen Summary

Zone	Lumens	% Fixture
0-30	919	25.9
0-40	1491	42.0
0-60	2598	73.2
0-90	3427	96.5
0-180	3550	100.0

Luminaire Data

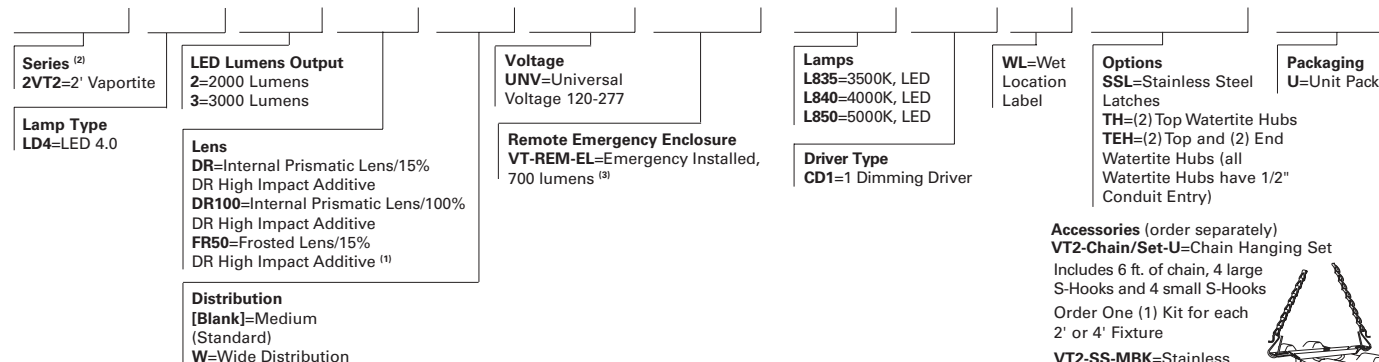
Angle in Deg	Average 0-Deg cd/sm	Average 45-Deg cd/sm	Average 90-Deg cd/sm
45	10619	9350	9156
55	9492	8323	8260
65	8469	7244	7232
75	7669	5967	5697
85	7422	4637	4026

LUMEN MAINTENANCE

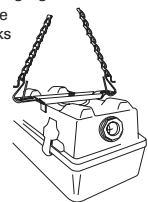
Ambient Temperature	TM-21 Lumen Maintenance (60,000 hours)	Theoretical L70 (Hours)
25°C	> 91%	> 247,000

ORDERING INFORMATION

SAMPLE NUMBER: 2VT2-LD4-3-DR-UNV-L840-CD1-WL-U



Accessories (order separately)
VT2-Chain/Set-U=Chain Hanging Set
 Includes 6 ft. of chain, 4 large S-Hooks and 4 small S-Hooks
 Order One (1) Kit for each 2' or 4' Fixture
VT2-SS-MBK=Stainless Steel Mounting Bracket



NOTES: ⁽¹⁾ Not available in wide distribution. ⁽²⁾ DesignLights Consortium™ Qualified and classified for DLC Standard (some models are not DLC qualified), refer to www.designlights.org for details. ⁽³⁾ EL must specify 120 or 277V only.

Specifications & dimensions subject to change without notice. Consult your Eaton Representative for availability and ordering information.

SHIPPING DATA

Catalog No.	Wt.
2VT2-LD4	10 lbs.



Eaton
 1121 Highway 74 South
 Peachtree City, GA 30269
 P: 770-486-4800
 www.eaton.com/lighting

Specifications and dimensions subject to change without notice.